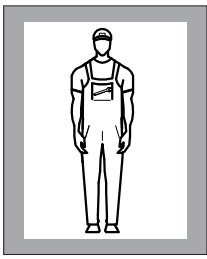







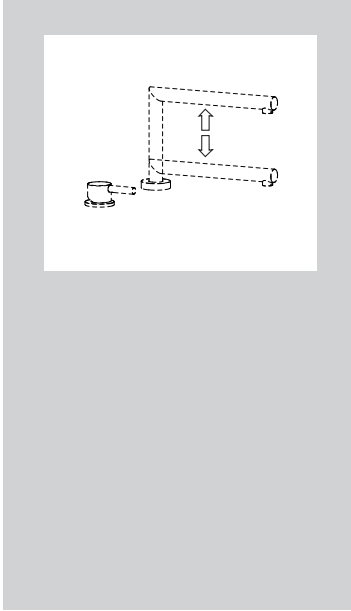
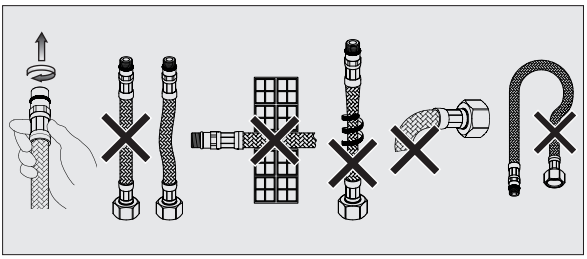
SMEG S.p.A.
Via Leonardo Da Vinci, 4
42016 Guastalla (RE)
Tel. 0522.8211 Fax 0522.838337
E mail: smeg@smeg.it



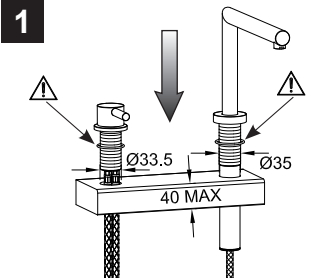

 Max 70° Celsius
Max 158° Fahrenheit
5° - 60° Celsius
41° - 140° Fahrenheit

3 bar
43 psi

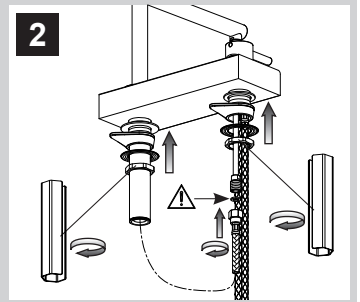
 Max 5 bar
Max 72 psi



1

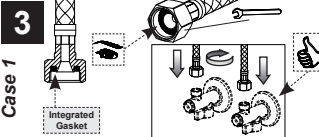


Ø33.5
Ø35
40 MAX

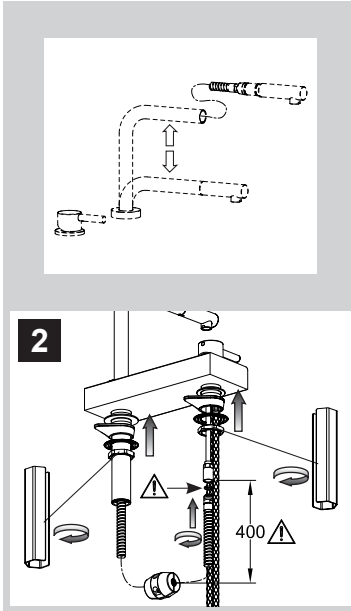
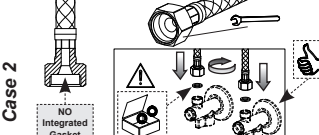


3

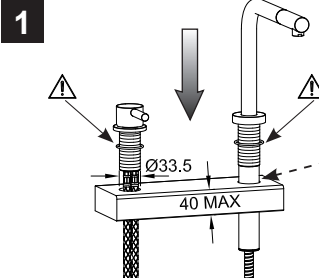
Case 1
Integrated Gasket



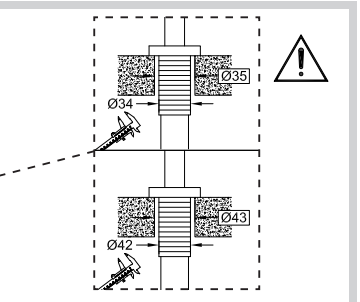
Case 2
NO Integrated Gasket



1

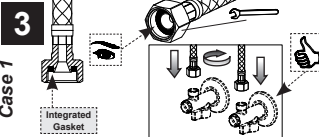


Ø33.5
Ø35
Ø34
Ø43
Ø42
40 MAX



3

Case 1
Integrated Gasket



Case 2
NO Integrated Gasket

